

# GEZE ROLLAN 80 NT





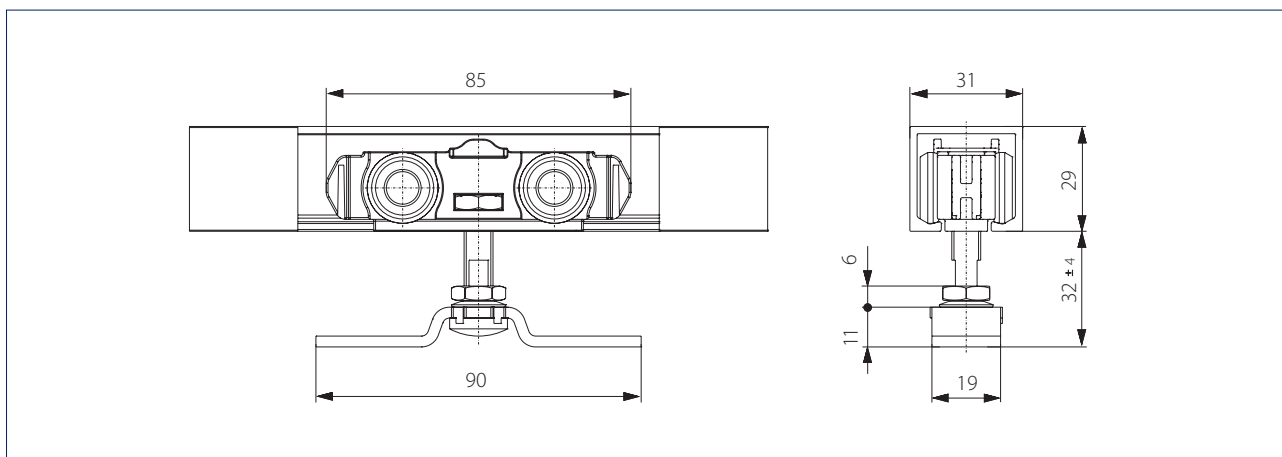
# GEZE ROLLAN 80 NT

## GEZE Rollan 80 NT

### The quiet and secure roller-guided sliding system for simple sliding concepts

The GEZE Rollan 80 NT roller-guided sliding system allows straightforward integration of sliding concepts on interior doors. The ceiling and wall mounting supports versatile use e.g. in passage doors, partition walls and cupboards. The track can be used both for Rollan 40 NT and Rollan 80 NT as well as for almost every leaf material. This reduces the planning and storage effort and thus enables simple adjustments to changing usage conditions. The distance between the door leaf and the track can be adjusted or readjusted easily after installation using the suspension bolt. The C-shape of the track reduces dust and dirt penetration.

Comfort and safety for GEZE sliding door systems with small leaf widths are possible with the optional draw-in damper **Rollan 80 NT SoftStop**. The door is gently slowed down and pulls itself automatically into the zero position. The gentle retraction into the end position is easy on the door and the fittings, thus increasing the life span of the door. The damper can be used one-sided or double-sided in the Rollan track up to a door weight of 40 kg. The Rollan 80 NT SoftStop is completely concealed in the track and has a total height of only 25 mm.



## APPLICATION RANGE

- Especially suitable for wooden doors
- For all 1- and multiple-leaf sliding doors
- Smooth running makes it particularly well suited for doors in living and office spaces

## TECHNICAL DATA

Product features	GEZE Rollan 80 NT
Leaf material	Wood, plastic, metal, glass
Leaf weight (max.)	80 kg
Leaf weight (max.) with draw-in damper	40 kg
Number of leaves	1-leaf, 2-leaf
Test cycles	50,000
Corrosion protection class	1
Type of installation	Wall installation, ceiling installation
Access for all	According to DIN 18040

### Standard dimensions in mm

Leaf width (FB)	Track length (L)	Distance between drill holes (t)	Number of drill holes (n)	Distance from first drill hole (centre) to end of track (y)
500 - 590	1150	350	4	50
500 - 840	1650	450	4	150
500 - 920	1800	400	5	100
500 - 970	1900	450	5	50
500 - 1190	2350	450	6	50
500 - 1420	2800	450	7	50
500 - 1640	3250	450	8	50
Stock length (LL)	6100	350	18	50

### Classification in accordance with DIN EN 1527

GEZE Rollan 80 NT								
Usage category	Duration of functional ability	Door weight	Fire resistance	Safety	Corrosion resistance	Protection	Door type	Initial friction
-	4	2	-	1	1	-	1	3

The description of the classes can be found at the end of the catalogue.

## OVERVIEW OF COMPONENTS

### GEZE Rollan 80 NT wooden leaf ceiling mounting



- 1 = Track Rollan
- 2 = End stop Rollan
- 3 = End stop Rollan with hold-open spring
- 4 = Roller carriage Rollan 80 NT
- 5 = Suspension plate Rollan
- 6 = Wooden leaf (on site)
- 7 = Floor guide for wooden leaf

**Note:** Cross-section drawings analogue to Rollan 40 NT

## ORDER INFORMATION ROLLAN 40 NT / ROLLAN 80 NT

Description	Leaf width from to	Length	Version	ID No.
GEZE Rollan 40 NT complete set Set for wall and ceiling installation with wooden leaf standard, up to 40 kg leaf weight -plain bearing-	500 mm 590 mm	1150 mm		160405
	500 mm 840 mm	1650 mm		160406
	500 mm 920 mm	1800 mm		160407
	500 mm 970 mm	1900 mm		160408
	500 mm 1190 mm	2350 mm		160409
	500 mm 1420 mm	2800 mm		160410
GEZE Rollan 80 NT complete set Set for wall and ceiling installation with wooden leaf standard, up to 80 kg leaf weight -ball bearing-	500 mm 840 mm	1650 mm		160411
	500 mm 920 mm	1800 mm		160412
	500 mm 970 mm	1900 mm		160413
	500 mm 1190 mm	2350 mm		160414
	500 mm 1420 mm	2800 mm		160415
	500 mm 1640 mm	3250 mm		160416
GEZE Rollan 80 NT complete set Set for wall and ceiling installation with glass leaf, 30 mm glass clamping plate individually covered EV1, up to 80 kg leaf weight -ball bearing-	500 mm 970 mm	1900 mm		160423
<b>Accessories</b>				
Rollan 80 NT SoftStop set, damping on one side, up to 40 kg The set includes: 1 x damping unit, 1 x trigger				160360
Accessories set basic components for Rollan 40 NT For ceiling mounting, comprising: 2 x roller carriage, 2 x end stop, 2 x suspension plate, 2 x suspension bolt, 1 x floor guide for wooden leaf -plain bearing-	500 mm 1500 mm			160417
Accessories set basic components for Rollan 40 NT For wall mounting, comprising: 2 x roller carriage, 2 x end stop, 2 x suspension plate, 2 x suspension bolt, 1 x floor guide for wooden leaf, incl. standard wall bracket (length = can be used up to track length) -plain bearing-	1100 mm 1500 mm	2800 mm		160419
	500 mm 1100 mm	1900 mm		160418
Accessories set basic components for Rollan 80 NT For ceiling mounting, comprising: 2 x roller carriage, 2 x end stop (1 x with hold-open device), 2 x suspension plate, 2 x suspension bolt, 1 x floor guide for wooden leaf -ball bearing-	500 mm 1500 mm			160420
	1100 mm 1500 mm	2800 mm		160422
Accessories set basic components for Rollan 80 NT For wall mounting, comprising: 2 x roller carriage, 2 x end stop (1 x with hold-open device), 2 x suspension plate, 2 x suspension bolt, 1 x floor guide for wooden leaf, incl. standard wall bracket (length = can be used up to track length) -ball bearing-	500 mm 1100 mm	1900 mm		160421
		6100 mm	Aluminium, matt	120150
Track Rollan Bespoke length, per m			Aluminium, matt	120151

## GEZE ROLLAN 40 NT / ROLLAN 80 NT

Description	Leaf width from to	Length	Version	ID No.
Roller carriage Rollan 80 NT without suspension bolt Black, up to 80 kg leaf weight -ball bearing-				159518
Roller carriage Rollan 40 NT with suspension bolt White, up to 40 kg leaf weight -plain bearing-				160363
Roller carriage Rollan 40 NT without suspension bolt White, up to 40 kg leaf weight -plain bearing-				159517
Roller carriage Rollan 80 NT with suspension bolt Black, up to 80 kg leaf weight -ball bearing-				160364
End stop Rollan Without hold-open spring				120192
End stop Rollan With hold-open spring, retention force can be adjusted gradually in installed state				120161
Leaf stop				000339
Wall bracket Rollan Without attachment material				125858
Ceiling bracket Rollan Without attachment material				069991
Suspension plate Rollan Without suspension bolt and attachment material				026654
Concealed suspension profile set 2 pcs., for milling into the wooden leaf, including suspension bolts and flat open-ended spanner for height adjustment				138015
Suspension bolt Rollan M8x30 with nut				133146
Suspension bolt Rollan M8x42 with nut				038183
Height compensation mechanism/ceiling spacer set, with variable adjustment 6 pcs., height compensation mechanism with variable adjustment from 13 mm to 18 mm. For use for ceiling mounting using clip-on cover 100/145 as well as for general use on uneven ceilings				138099
Floor guide for wooden leaf standard Without attachment material			galvanised	002191
Floor guide for glass leaf (stainless steel) For 8, 10, 12 mm glass			stainless steel	134990
Floor guide for glass leaf (adjustable) With variable adjustment for glass thickness 8-13.5 mm, with frieze band for noise reduction with structured glass surfaces, without attachment material			silver-coloured	120417
			stainless steel optic	148019
			according to RAL	149657
Recessed handle, 8-12 mm glass Closed, outer diameter 60 mm, glass drill hole 40 mm			stainless steel	138670
Recessed handle, 15-80 mm wood Outer diameter 60 mm, specify leaf thickness when ordering			stainless steel	127614
Door handle rod, bespoke			stainless steel	127616

GEZE ROLLAN 40 NT / ROLLAN 80 NT



Track



Roller carriage Rollan 40 NT



Roller carriage Rollan 80 NT



Rollan 80 NT SoftStop with trigger



End stop



End stop with hold-open spring



Wall bracket



Ceiling bracket



Suspension plate



Concealed suspension profile



Suspension bolt



Height compensation mechanism



Floor guide for wooden leaf



Floor guide for glass leaf  
Stainless steel



Floor guide for glass leaf adjustable



Recessed handle glass closed



Stainless steel door handle rod